



Construction equipment

SCHEDA PRODOTTO

CRANE FORKS

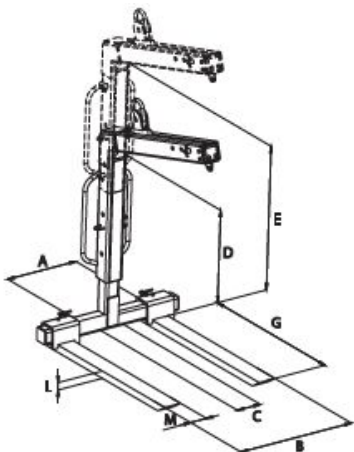
Telescopic automatic balance pallet fork

MBRA-E

Automatically adjustment and loading height
telescopic



Available with pins length 1200 mm



MODEL	CAPACITY (kg)	DIMENSIONS (mm)								WEIGHT (kg)
		A	B	C	D	E	G	L	M	
MBRA-15E	1500	950	1000	400	1100	1640	1000	30	90	140
MBRA-20E	2000	950	1000	400	1100	1640	1000	35	100	170
MBRA-25E	2500	950	1000	400	1100	1640	1000	35	120	220
MBRA-30E	3000	950	1000	400	1100	1640	1000	35	120	240



Boscaro srl

Via G. Cederle, 1 - 36020

Campiglia dei Berici (Vicenza) Italy

Tel +39 0444 866520

Fax +39 0444 866350

P.IVA: 00672450244