



Construction equipment

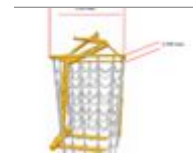
SCHEDA PRODOTTO

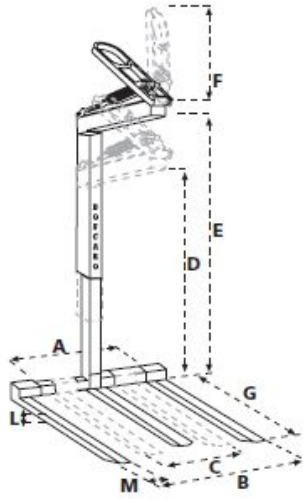
CRANE FORKS

Automatic crane fork with protection chains

MBRA-CP

Crane fork with protection chain





MODEL	CAP. (kg)	DIMENSIONS (mm)										WEIGHT (kg)
		A	B	C	D	E	F	G	L	M		
MBRA-15CP	1500	1000	1000	300	1200	1800	700	1000	30	90	190	
MBRA-20CP	2000	1000	1000	300	1200	1800	700	1000	35	100	210	
MBRA-30CP	2000	1000	1000	300	1200	1800	700	1000	35	100	296	



Boscaro srl
 Via G. Cederle, 1 - 36020
 Campiglia dei Berici (Vicenza) Italy

Tel +39 0444 866520
 Fax +39 0444 866350
 P.IVA: 00672450244