



Construction equipment

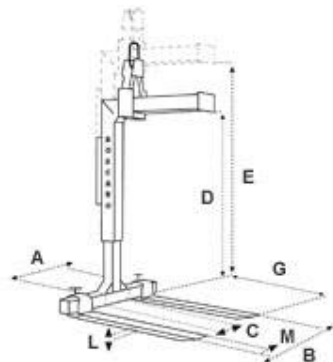
## SCHEDA PRODOTTO

### CRANE FORKS

#### Manual crane fork

MBR-M

Height and width adjustable  
 Can easily be used with mobile/truck cranes due to its lower height



MODEL	CAPACITY (kg)	DIMENSIONS (mm)								WEIGHT (kg)
		A	B	C	D	E	G	L	M	
MBR-15M	1500	950	1000	400	1100	1640	1000	30	90	155
MBR-20M	2000	950	1000	400	1100	1800	1000	35	100	170
MBR-25M	2500	1000	1000	300	1100	1800	1000	35	120	225
MBR-30M	3000	1000	1000	300	1100	1800	1000	35	120	235



**Boscaro srl**

Via G. Cederle, 1 - 36020

Campiglia dei Berici (Vicenza) Italy

Tel +39 0444 866520

Fax +39 0444 866350

P.IVA: 00672450244