



Construction equipment

SCHEDA PRODOTTO

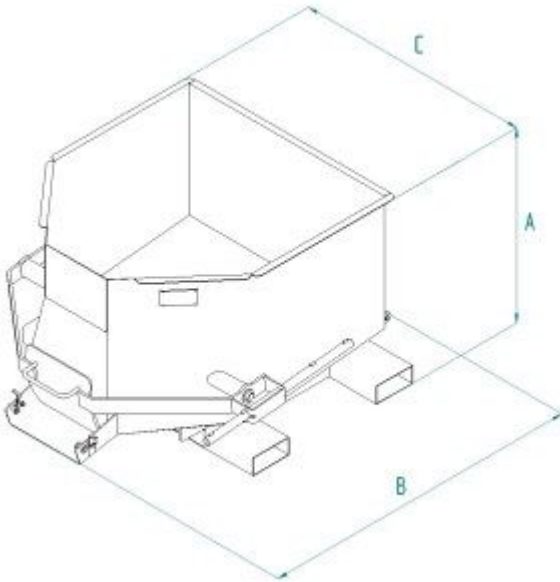
CONCRETE BUCKETS

**Concrete skip designed for use
with a forklift or telehandler**

MCE Model

Concrete skip designed to be used with forklifts or
telehandlers
On request different capacities





MODEL	CAP. (Lt)	DIMENSIONS (mm)			CAP. (kg)	WEIGHT (kg)
		A	B	C		
MCE-50	500	845	1702	1194	1300	150
MCE-99	1000	900	1702	1224	2600	300
MCE-150	1500	890	1750	1626	3900	400



Boscario srl
 Via G. Cederle, 1 - 36020
 Campiglia dei Berici (Vicenza) Italy

Tel +39 0444 866520
 Fax +39 0444 866350
 P.IVA: 00672450244