



Construction equipment

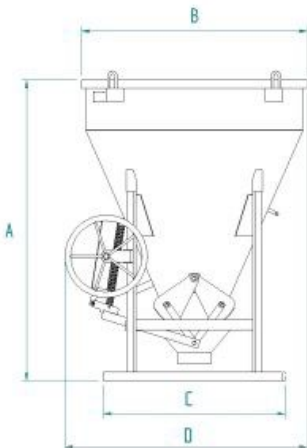
SCHEDA PRODOTTO

CONCRETE BUCKETS

Conical concrete bucket

CT-V Model

Concrete bucket with rubber hose 2 mt length, diameter 200 mm. Opening with wheels
4 lifting points or lifting arm on demand



MODEL	CAPACITY (Lt)	DIMENSIONS (mm)				CAPACITY (kg)	WEIGHT (kg)
		A	B	C	D		
CT-50V	500	1500	1090	1090	1319	1300	185
CT-75V	750	1652	1350	1090	1449	1950	195
CT-99V	1000	1801	1350	1090	1449	2600	220
CT-150V	1500	2320	1350	1090	1449	3900	250
CT-200V	2000	2500	1600	1090	1637	5200	350



Boscaro srl

Via G. Cederle, 1 - 36020
Campiglia dei Berici (Vicenza) Italy

Tel +39 0444 866520
Fax +39 0444 866350
P.IVA: 00672450244