



Construction equipment

## SCHEDA PRODOTTO

### CONCRETE BUCKETS

---

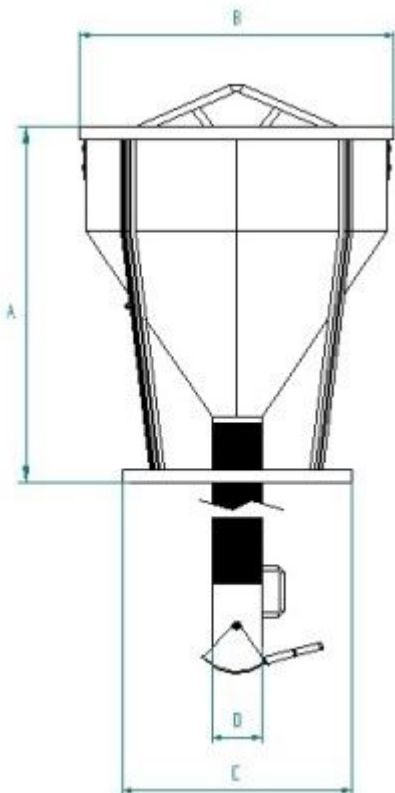
#### Concrete skip with rubber hose and valve

##### CT-VALT Model

We offer our esteemed clients an exclusive range of concrete buckets with lever and rubber hose. This is the model CT-VALT. It presents central discharge and valve at the end of the rubber hose.

The customer can require specific sizes for the batching plants. All our concrete buckets are built to meet or exceed the regulations of EN, ASME and UNI and come with the required labels, certificates and user and maintenance manual. All our products are covered by a 1-year warranty (EU Directive).





MODEL	CAPACIT Y (Lt)	DIMENSIONS (mm)				CAP. (kg)	WEIGHT (kg)
		A	B	C	D		
CT-50VA LT	500	1250	1050	880	150	1300	110
CT-80VA LT	800	1490	1250	930	150	2080	155
CT-99VA LT	1000	1670	1250	930	150	2600	170
CT-150V ALT	1500	2180	1250	930	150	3900	230



**Boscaro srl**  
Via G. Cederle, 1 - 36020  
Campiglia dei Berici (Vicenza) Italy

Tel +39 0444 866520  
Fax +39 0444 866350  
P.IVA: 00672450244