



Construction equipment

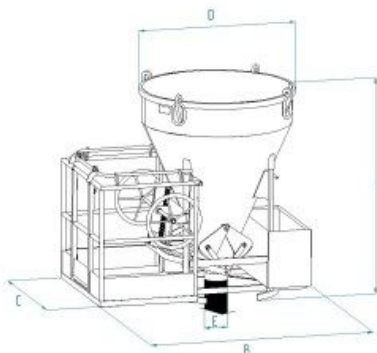
SCHEDA PRODOTTO

CONCRETE BUCKETS

Concrete Column skip with man platform

CT-VP Model

Concrete bucket with riding platform and safety rails
Opening with wheels Complete of rubber hose



| MODEL | CAPACITY (Lt) | DIMENSIONS (mm) | | | | | CAPACITY (kg) | WEIGHT (kg) |
|----------|---------------|-----------------|------|------|------|-----|---------------|-------------|
| | | A | B | C | D | E | | |
| CT-99VP | 1000 | 1802 | 1930 | 1200 | 1350 | 200 | 2600 | 445 |
| CT-150VP | 1500 | 2182 | 1930 | 1200 | 1350 | 200 | 3900 | 475 |
| CT-200VP | 2000 | 2480 | 1930 | 1200 | 1600 | 200 | 5200 | 490 |
| CT-250VP | 2500 | 1904 | 1930 | 1200 | 1800 | 200 | 6500 | 580 |
| CT-300VP | 3000 | 2180 | 1930 | 1200 | 1800 | 200 | 7800 | 640 |



Boscaro srl

Via G. Cederle, 1 - 36020
Campiglia dei Berici (Vicenza) Italy

Tel +39 0444 866520
Fax +39 0444 866350
P.IVA: 00672450244