



Construction equipment

## SCHEDA PRODOTTO

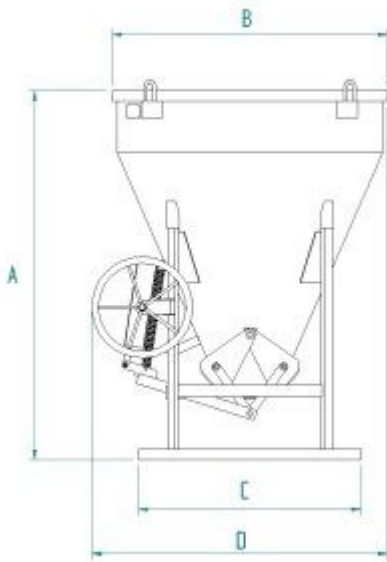
### CONCRETE BUCKETS

---

#### Conical concrete bucket

C-V Model





MODEL	CAP. (Lt)	DIMENSIONS (mm)				CAP. (kg)	WEIGHT (kg)
		A	B	C	D		
C-50V	500	1500	1090	1090	1319	1300	168
C-75V	750	1650	1350	1090	1449	1950	190
C-99V	1000	1801	1350	1090	1449	2600	205
C-150V	1500	2182	1350	1090	1449	3900	225
C-200V	2000	2380	1584	1293	1637	5200	380



**Boscario srl**  
 Via G. Cederle, 1 - 36020  
 Campiglia dei Berici (Vicenza) Italy

Tel +39 0444 866520  
 Fax +39 0444 866350  
 P.IVA: 00672450244