



Construction equipment

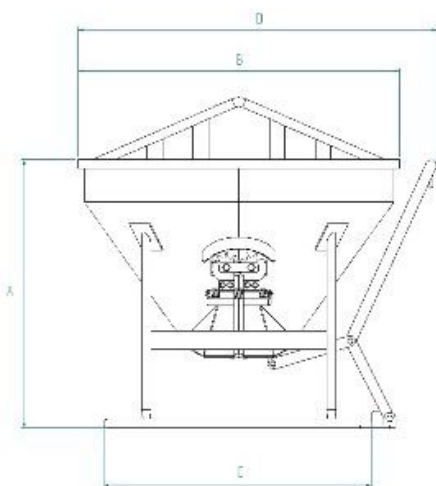
SCHEDA PRODOTTO

CONCRETE BUCKETS

Aluminium conical concrete bucket

C-NALU Model

Concrete bucket made of aluminium.



MODEL	CAPACITY(Lt)	DIMENSIONS (mm)				CAP. (kg)	WEIGHT (kg)
		A	B	C	D		
C-30NALU	300	880	1050	880	1220	780	50
C-50NALU	500	1050	1050	880	1220	1300	55



Boscaro srl

Via G. Cederle, 1 - 36020
Campiglia dei Berici (Vicenza) Italy

Tel +39 0444 866520
Fax +39 0444 866350
P.IVA: 00672450244