



Construction equipment

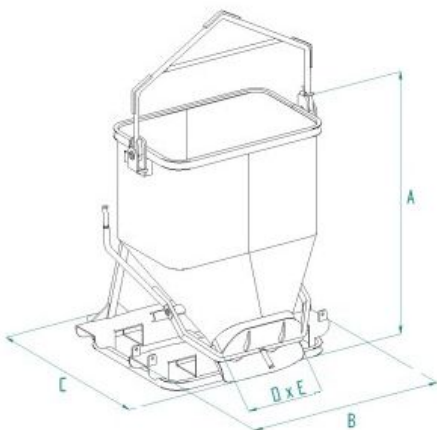
SCHEDA PRODOTTO

CONCRETE BUCKETS

Hydraulic concrete bucket with rubber hose

BOT-IT Model

Hydraulic concrete bucket with forklift pockets for telehandlers and rubber hose.



MODEL	CAP. (Lt)	DIMENSIONS (mm)				CAPACITY (kg)	WEIGHT (kg)
		A	B	C	DxE		
BOT-60IT	600	1390	1234	924	200x200	1560	255
BOT-99IT	1000	1552	1234	1287	200x200	2600	390



Boscaro srl

Via G. Cederle, 1 - 36020
Campiglia dei Berici (Vicenza) Italy

Tel +39 0444 866520
Fax +39 0444 866350
P.IVA: 00672450244