



Construction equipment

SCHEDA PRODOTTO

CONCRETE BUCKETS

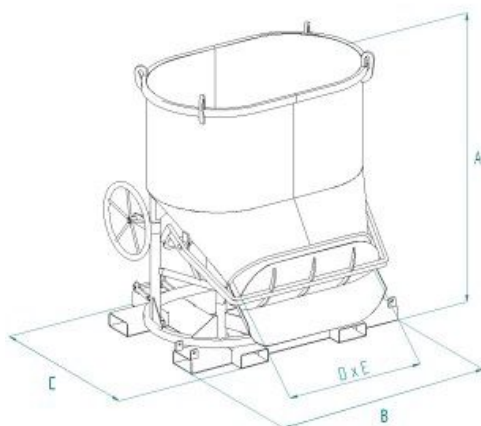
Concrete bucket with big discharge gate side unloading

BOT-GAL

Concrete bucket with forklift pockets and side unloading

Big discharge gate

An excellent skip for use in pre-cast factory or on-site



MODEL	CAP. (Lt)	DIMENSIONS (mm)				CAP.(kg)	WEIGHT (kg)
		A	B	C	DxE		
BOT-50GAL	500	1284	1421	1150	753x373	1300	235
BOT-75GAL	750	1450	1519	1200	988x388	1950	310
BOT-99GAL	1000	1685	1519	1200	988x388	2600	350
BOT-150GAL	1500	1770	1479	1330	920x420	3900	470
BOT-200GAL	2000	2050	1739	1453	920x420	5200	530



Boscaro srl

Via G. Cederle, 1 - 36020
Campiglia dei Berici (Vicenza) Italy

Tel +39 0444 866520
Fax +39 0444 866350
P.IVA: 00672450244