



Construction equipment

SCHEDA PRODOTTO

CONCRETE BUCKETS

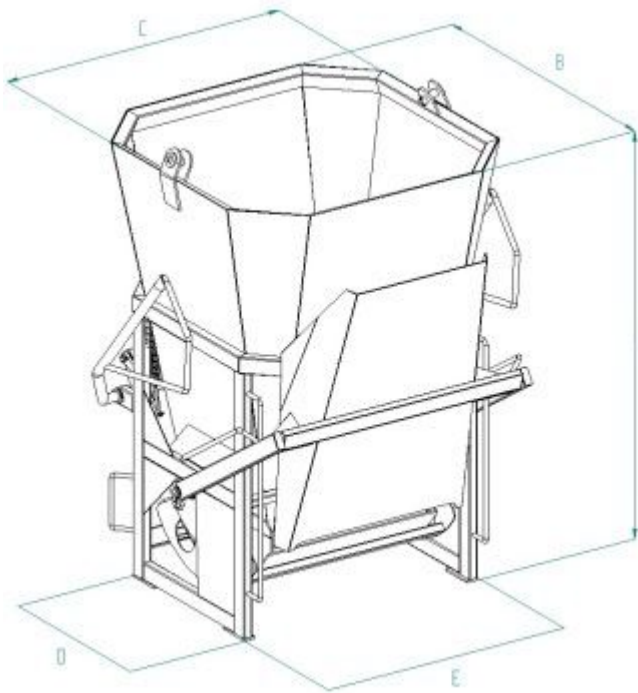
Octagonal Concrete bucket

BOC Model

Heavy duty octagonal concrete bucket with central and side unloading. The big discharge gate with lever makes the unloading process safe and easy. Can be lifted with chains. Available in different capacities.

All our buckets are built to meet or exceed the regulations of EN, ASME and UNI and come with the required labels, certificates and user and maintenance manual. All our products are covered by a 1-year warranty (EU Directive).





MO DEL	CA P. (Lt)	DIMENSIONS (mm)					CA P. (kg)	WEI GH T (kg)
		A	B	C	D inter nal	E inter nal		
BO C-6 0	600	130 0	950	950	484	590	156 0	230
BO C-8 0	800	152 0	104 0	104 0	484	590	208 0	250
BO C-1 20	120 0	170 0	120 0	120 0	484	590	312 0	325
BO C-1 50	150 0	195 0	130 0	130 0	484	590	390 0	370



Boscario srl
Via G. Cederle, 1 - 36020
Campiglia dei Berici (Vicenza) Italy

Tel +39 0444 866520
Fax +39 0444 866350
P.IVA: 00672450244