



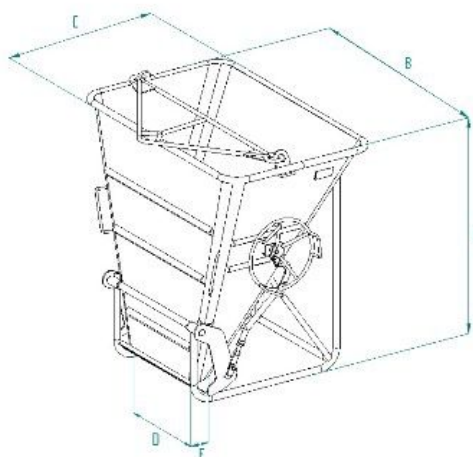
Construction equipment

SCHEDA PRODOTTO

CONCRETE BUCKETS

Concrete bucket

BO-H



MODEL	CAP. (Lt)	DIMENSIONS (mm)					CAP. (kg)	WEIGHT (kg)
		A	B	C	D	E		
BO-75H	750	1463	1533	1125	722	137	1800	220
BO-99H	1000	1713	1675	1125	722	137	2400	250



Boscaro srl

Via G. Cederle, 1 - 36020
Campiglia dei Berici (Vicenza) Italy

Tel +39 0444 866520
Fax +39 0444 866350
P.IVA: 00672450244