



Construction equipment

SCHEDA PRODOTTO

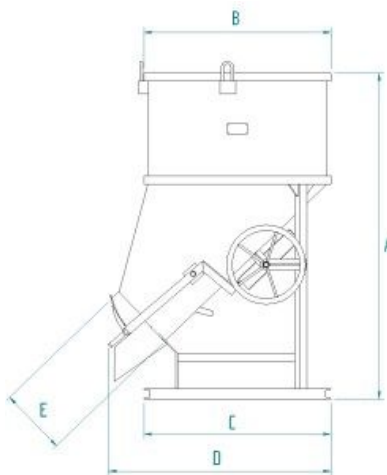
CONCRETE BUCKETS

Lateral discharge concrete skip with wheels

BF-V Model

Concrete bucket with a big side discharge
Opening by wheels

On request four way entry pockets for forklift



MODEL	CAPACITY (Lt)	DIMENSIONS (mm)					CAPACITY (kg)	WEIGHT (kg)
		A	B	C	D	E		
BF-30V	300	1185	935	935	1160	300	780	120
BF-50V	500	1510	935	935	1160	300	1300	140
BF-75V	750	1781	1170	1170	1390	420	1950	210
BF-99V	1000	2041	1170	1170	1390	420	2600	235
BF-150V	1500	1990	1492	1492	1600	420	3900	430
BF-200V	2000	2290	1492	1492	1600	420	5200	490



Boscaro srl

Via G. Cederle, 1 - 36020
Campiglia dei Berici (Vicenza) Italy

Tel +39 0444 866520
Fax +39 0444 866350
P.IVA: 00672450244