



Construction equipment

## SCHEDA PRODOTTO

### CONCRETE BUCKETS

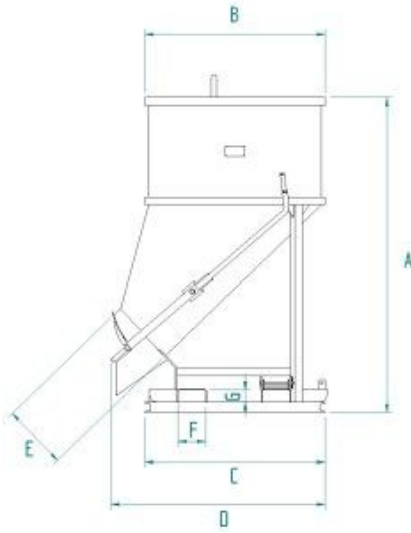
---

#### Geared bucket with forklift pockets

BF-VST Model

Geared concrete bucket with forklift pockets and side discharge.





MODEL	CAP. (Lt)	DIMENSIONS (mm)							CAP. (kg)	WEIGHT(kg)
		A	B	C	D	E	F	G		
BF-30VST	300	1185	935	935	1141	300	180	80	780	145
BF-50VST	500	1510	935	935	1141	300	180	80	1300	165
BF-75VST	750	1781	1170	1170	1405	420	179	80	1750	250
BF-99VST	1000	2041	1170	1170	1405	420	179	80	2600	260
BF-150VST	1500	1990	1492	1492	1600	420	179	80	3900	470
BF-200VST	2000	2290	1492	1492	1600	420	179	80	5200	520



**Boscaro srl**  
 Via G. Cederle, 1 - 36020  
 Campiglia dei Berici (Vicenza) Italy

Tel +39 0444 866520  
 Fax +39 0444 866350  
 P.IVA: 00672450244