



Construction equipment

SCHEDA PRODOTTO

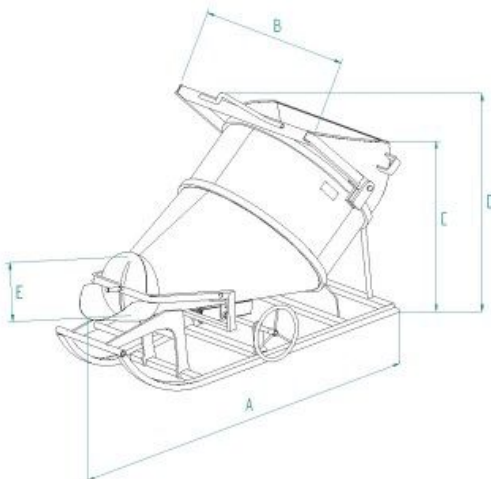
CONCRETE BUCKETS

Banana laydown bucket

BF-CV

Banana laydown concrete bucket with wheels

Laydown skip with handle with geared operation of the discharge gate.



MODEL	CAP. (Lt)	DIMENSIONS (mm)					CAP. (kg)	WEIGHT (kg)
		A	B	C	D	E		
BF-30CV	300	1507	1019	915	1029	300	780	140
BF-50CV	500	1752	1019	1124	1457	300	1300	170
BF-75CV	750	2166	1349	1131	1443	420	1950	300
BF-99CV	1000	2305	1349	1227	1588	420	2600	340
BF-150CV	1500	2490	1692	1229	1559	420	3900	550
BF-200CV	2000	2774	1692	1376	1707	420	5200	665



Boscaro srl

Via G. Cederle, 1 - 36020
Campiglia dei Berici (Vicenza) Italy

Tel +39 0444 866520
Fax +39 0444 866350
P.IVA: 00672450244