



Construction equipment

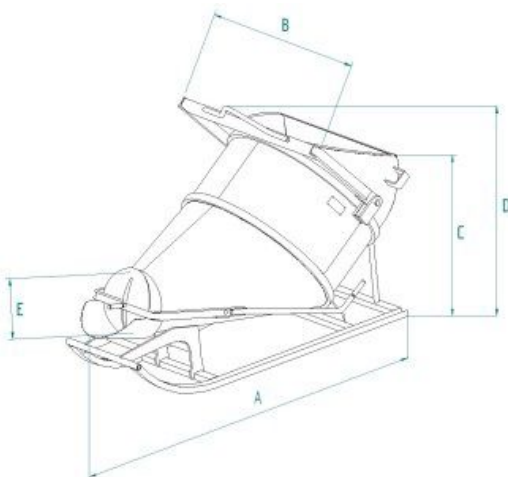
SCHEDA PRODOTTO

CONCRETE BUCKETS

Laydown concrete skip

BF-CL Model

Laydown concrete bucket to assist filling
 When lifted the bucket returns to its vertical position ready
 for pouring concrete
 Opening with lever



MODEL	CAP. (Lt)	DIMENSIONS (mm)					CAP. (kg)	WEIGHT (kg)
		A	B	C	D	E		
BF-30CL	300	1479	1019	765	1002	300	780	130
BF-40CL	400	1605	1019	872	1109	300	1040	140
BF-50CL	500	1728	1019	974	1212	300	1300	150
BF-75CL	750	2135	1349	1044	1540	420	1950	295
BF-99CL	1000	2272	1349	1137	1674	420	2600	310
BF-150CL	1500	2490	1692	1228	1844	420	3900	590
BF-200CL	2000	2774	1692	1376	1707	420	5200	640



Boscaro srl

Via G. Cederle, 1 - 36020
Campiglia dei Berici (Vicenza) Italy

Tel +39 0444 866520
Fax +39 0444 866350
P.IVA: 00672450244