



Construction equipment

SCHEDA PRODOTTO

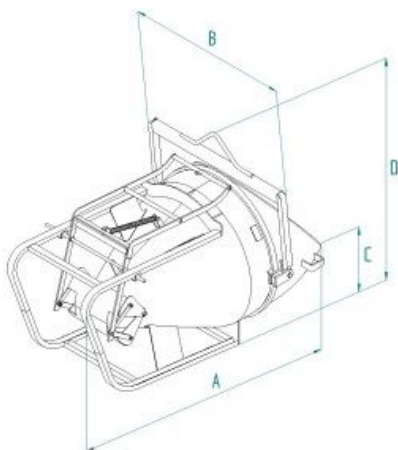
CONCRETE BUCKETS

Coneflow concrete skip with lever and rubber hose

BCF Model

A rugged skip designed to lay down when standing on the ground to assist filling

Opening with lever



| MODEL | CAP. (Lt) | DIMENSIONS (mm) | | | | CAP. (kg) | WEIGHT (kg) |
|---------|-----------|-----------------|------|-----|------|-----------|-------------|
| | | A | B | C | D | | |
| BCF-30 | 300 | 1964 | 1269 | 627 | 1495 | 780 | 265 |
| BCF-50 | 500 | 2098 | 1269 | 643 | 1512 | 1300 | 275 |
| BCF-75 | 750 | 2385 | 1529 | 763 | 1782 | 1950 | 320 |
| BCF-99 | 1000 | 2569 | 1529 | 786 | 1806 | 2600 | 351 |
| BCF-150 | 1500 | 2781 | 1884 | 974 | 2033 | 3900 | 690 |
| BCF-200 | 2000 | 3031 | 1884 | 974 | 2033 | 5200 | 720 |



Boscaro srl

Via G. Cederle, 1 - 36020
Campiglia dei Berici (Vicenza) Italy

Tel +39 0444 866520
Fax +39 0444 866350
P.IVA: 00672450244