



Construction equipment

SCHEDA PRODOTTO

CONCRETE BUCKETS

Geared concrete column skip

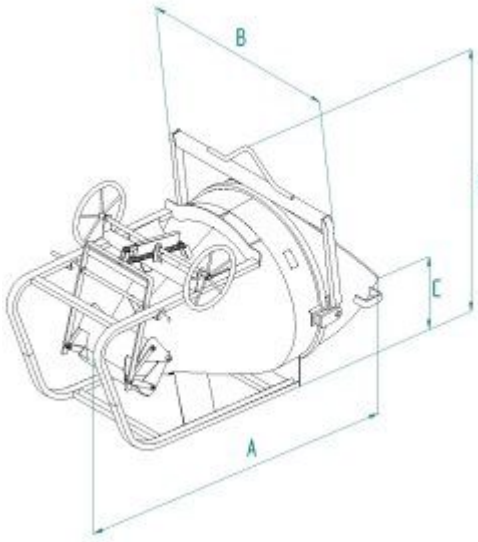
BCF-V Model

Horizontal cylindrical-conical shape with cylindrical straight outlet

A rugged design with a gear operated gate and lift beam

Designed to lay down when standing on the ground to assist filling





MODEL	CAP. (Lt)	DIMENSIONS (mm)				CAP. (kg)	WEIGHT (kg)
		A	B	C	D		
BCF-30V	300	1964	1269	627	1495	780	270
BCF-50V	500	2098	1269	643	1512	1300	280
BCF-75V	750	2386	1529	763	1781	1950	350
BCF-99V	1000	2570	1529	786	1800	2600	372
BCF-150V	1500	2781	1884	974	2033	3900	715
BCF-200V	2000	3031	1884	974	2033	5200	745



Boscario srl
 Via G. Cederle, 1 - 36020
 Campiglia dei Berici (Vicenza) Italy

Tel +39 0444 866520
 Fax +39 0444 866350
 P.IVA: 00672450244