



Construction equipment

SCHEDA PRODOTTO

CONCRETE BUCKETS

Geared concrete column skip

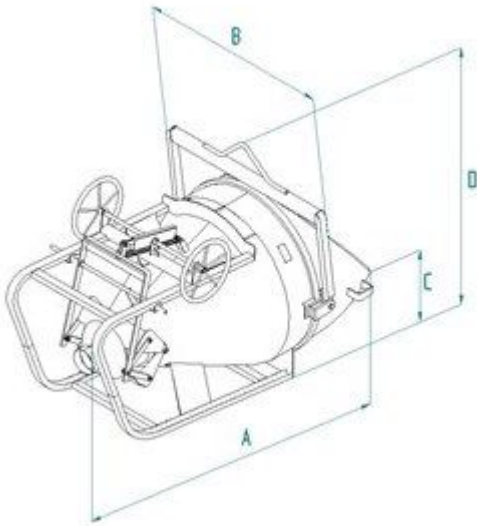
BCF-VT Model

A rugged design with a gear operated gate and rubber hose Ø 200 mm.

Designed to lay down when standing on the ground to assist filling

Widely used for pouring concrete into columns or formworks





MODEL	CAP. (Lt)	DIMENSIONS (mm)				CAP. (kg)	WEIGHT (kg)
		A	B	C	D		
BCF-30VT	300	2504	1269	627	1495	780	280
BCF-50VT	500	2638	1269	643	1512	1300	300
BCF-75VT	750	3012	1529	763	1780	1950	360
BCF-99VT	1000	3171	1529	786	1806	2600	385
BCF-150VT	1500	2781	1884	974	2033	3900	720
BCF-200VT	2000	3031	1884	974	2033	5200	750



Boscario srl
 Via G. Cederle, 1 - 36020
 Campiglia dei Berici (Vicenza) Italy

Tel +39 0444 866520
 Fax +39 0444 866350
 P.IVA: 00672450244