



Construction equipment

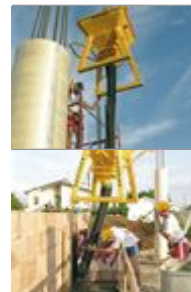
SCHEDA PRODOTTO

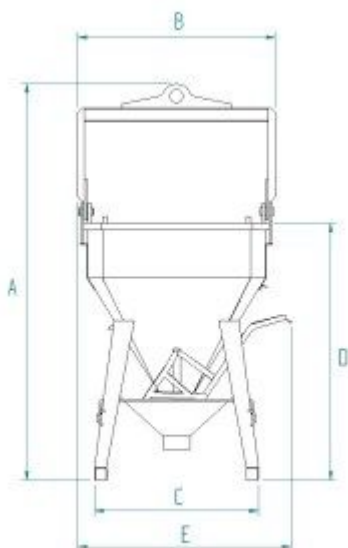
CONCRETE BUCKETS

Concrete column skip with rubber hose

BCE Model

High quality concrete skip with rubber hose
Pull rope for opening discharge gate and closing automatically by a spring
Length rubber hose 2 mt, diameter 200 mm
Widely used for pouring concrete into columns or formworks





MODEL	CAP. (Lt)	DIMENSIONS (mm)				CAP. (kg)	WEIGHT (kg)
		A	B	C	D		
BCE-40	400	2287	1128	1000	1405	1040	205
BCE-50	500	2387	1128	1000	1505	1300	215
BCE-60	600	2487	1128	1000	1605	1560	225
BCE-80	800	2710	1447	1200	1615	2080	308
BCE-99	1000	2807	1447	1200	1712	2600	320
BCE-125	1250	2908	1447	1200	1885	3250	369
BCE-150	1500	3048	1647	1300	1925	3900	405
BCE-200	2000	3290	1647	1300	2135	5200	497
BCE-250	2500	2008	1780	1780	1927	6500	611
BCE-300	3000	2183	1780	1780	2102	7800	656



Boscaro srl
Via G. Cederle, 1 - 36020
Campiglia dei Berici (Vicenza) Italy

Tel +39 0444 866520
Fax +39 0444 866350
P.IVA: 00672450244