



Construction equipment

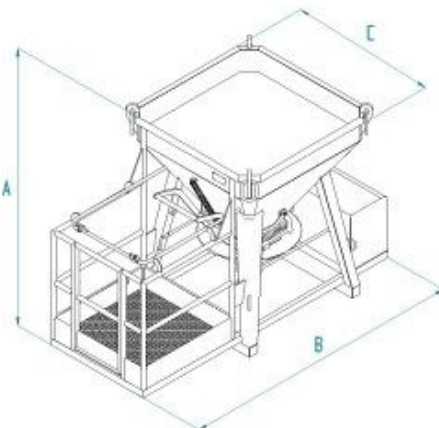
SCHEDA PRODOTTO

CONCRETE BUCKETS

Concrete Column skip with riding platform with handwheel

BCE-VP Model

Concrete column skip with riding platform complete with safety handrail
Opening by handwheel
Supplied with 2 mt. rubber hose (200 mm)



MODEL	CAPACITY (Lt)	DIMENSIONS (mm)			CAPACITY (kg)	WEIGHT (kg)
		A	B	C		
BCE-80VP	800	1615	2640	1360	2080	580
BCE-99VP	1000	1712	2640	1360	2600	660
BCE-125VP	1250	1885	2640	1360	3250	685
BCE-150VP	1500	1925	2795	1560	3900	710
BCE-200VP	2000	2135	2795	1560	5200	820
BCE-250VP	2500	2008	3085	1780	6500	870
BCE-300VP	3000	2183	3085	1780	7800	990



Boscaro srl

Via G. Cederle, 1 - 36020
Campiglia dei Berici (Vicenza) Italy

Tel +39 0444 866520
Fax +39 0444 866350
P.IVA: 00672450244