



Construction equipment

SCHEDA PRODOTTO

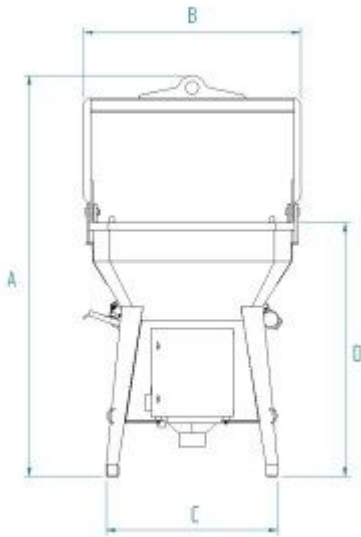
CONCRETE BUCKETS

Concrete skip with remote control

BCE-R Model

Concrete bucket with rubber hose
Supplied with remote control (range 80-100 mt) and external vibrator
The opening mechanism is operated via a hydraulic cylinder





MODEL	CAPACITY (Lt)	DIMENSIONS (mm)				CAP. (kg)	WEIGHT (kg)
		A	B	C	D		
BCE-80R	800	2710	1360	1200	1615	2080	495
BCE-99R	1000	2807	1360	1200	1712	2600	550
BCE-125R	1250	2908	1360	1200	1885	3250	640
BCE-150R	1500	3048	1560	1300	1925	3900	690
BCE-200R	2000	3258	1560	1300	2135	5200	775
BCE-250R	2500	3488	1694	1700	1927	6500	780
BCE-300R	3000	2183	1694	1700	2102	7800	800



Boscero srl
 Via G. Cederle, 1 - 36020
 Campiglia dei Berici (Vicenza) Italy

Tel +39 0444 866520
 Fax +39 0444 866350
 P.IVA: 00672450244