



Construction equipment

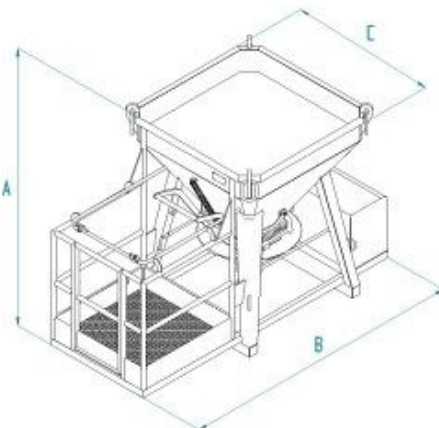
## SCHEDA PRODOTTO

### CONCRETE BUCKETS

#### Concrete Column skip with riding platform

BCE-P Model

Concrete column skip with riding platform complete with safety handrail  
 Opening by lever  
 Supplied with 2 mt. rubber hose (200 mm)



MODEL	CAPACITY (Lt)	DIMENSIONS (mm)			CAPACITY (kg)	WEIGHT (kg)
		A	B	C		
BCE-80P	800	1615	2640	1360	2080	570
BCE-99P	1000	1712	2640	1360	2600	650
BCE-125P	1250	1885	2640	1360	3250	675
BCE-150P	1500	1925	2795	1560	3900	700
BCE-200P	2000	2135	2795	1560	5200	810
BCE-250P	2500	2008	3085	1780	6500	860
BCE-300P	3000	2183	3085	1780	7800	980



**Boscaro srl**

Via G. Cederle, 1 - 36020  
Campiglia dei Berici (Vicenza) Italy

Tel +39 0444 866520  
Fax +39 0444 866350  
P.IVA: 00672450244