



Construction equipment

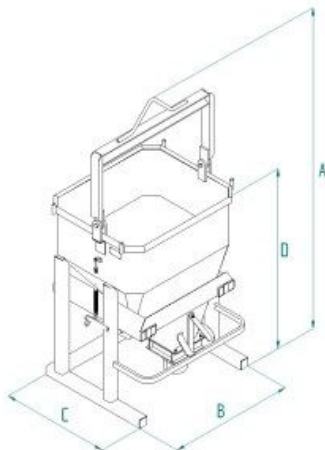
SCHEDA PRODOTTO

CONCRETE BUCKETS

Concrete skip with forklift pockets and rubber hose

BCE-L Model

Concrete bucket with forklift pockets and rubber hose
On request other capacities



MODEL	CAP. (Lt)	DIMENSIONS (mm)				CAP. (kg)	WEIGHT (kg)
		A	B	C	D		
BCE-50L	500	2330	1155	1006	1480	1300	300
BCE-99L	1000	2850	1300	1126	1780	2600	390
BCE-150L	1500	2950	1495	1503	1900	3900	552
BCE-200L	2000	3338	1495	1503	2022	5200	580



Boscaro srl

Via G. Cederle, 1 - 36020
Campiglia dei Berici (Vicenza) Italy

Tel +39 0444 866520
Fax +39 0444 866350
P.IVA: 00672450244