



Construction equipment

## SCHEDA PRODOTTO

### CONCRETE BUCKETS

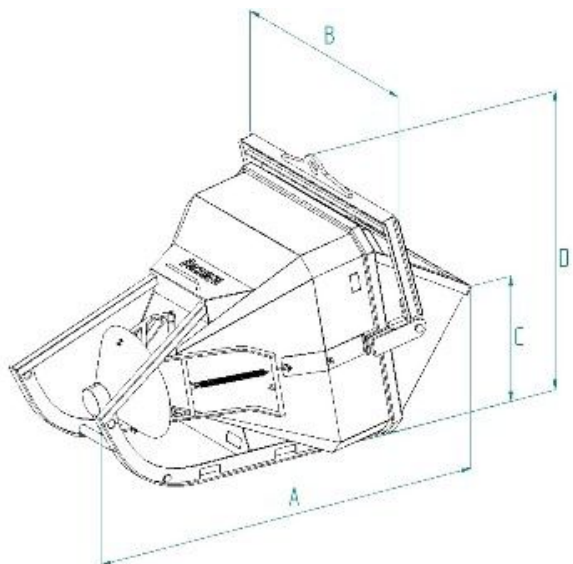
---

#### High quality concrete skip with rubber hose

##### BC-ST Model

High quality concrete skip with rubber hose  
Designed to lay down when standing on the ground to assist filling  
When lifted it returns to its vertical position  
Pull rope for opening discharge gate and closed automatically by a spring  
Length rubber hose 2 mt, diameter 200 mm





MODEL	CAP. (Lt)	DIMENSIONS (mm)				CAP. (kg)	WEIGHT (kg)
		A	B	C	D		
BC-40ST	400	1990	890	670	1100	1040	250
BC-50ST	500	2100	890	680	1100	1300	255
BC-60ST	600	2300	890	690	1150	1560	270
BC-80ST	800	2650	1600	750	1300	2080	320
BC-99ST	1000	2700	1500	800	1350	2600	365
BC-125ST	1250	2900	1500	1050	1450	3250	430
BC-150ST	1500	3000	1700	1180	1600	3900	500
BC-200ST	2000	3100	1700	1180	1600	5200	680
BC-250ST	2500	3150	1700	1200	1900	6500	845
BC-300ST	3000	3204	1900	1200	1900	7800	890



**Boscario srl**  
 Via G. Cederle, 1 - 36020  
 Campiglia dei Berici (Vicenza) Italy

Tel +39 0444 866520  
 Fax +39 0444 866350  
 P.IVA: 00672450244