

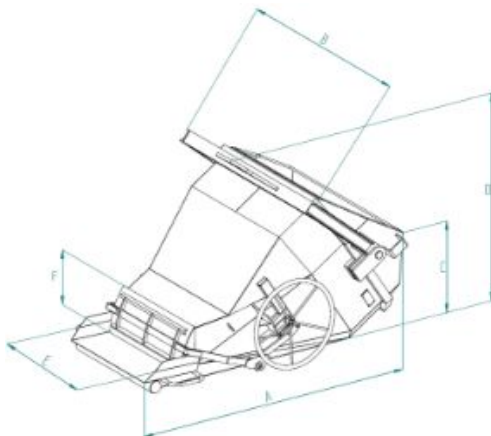


Construction equipment

SCHEDA PRODOTTO

CONCRETE BUCKETS

BC-GAV



MODEL	CAP. (Lt)	DIMENSIONS (mm)						CAP. (kg)	WEIGHT (kg)
		A	B	C	D	E	F		
BC-50GAV	500	1620	1400	610	955	700	300	1300	270
BC-75GAV	750	1810	1400	720	1070	700	300	1950	340
BC-99GAV	1000	2000	1400	830	1200	700	300	2600	410
BC-150GAV	1500	2162	1749	902	1462	900	300	3900	487
BC-200GAV	2000	2361	1900	960	1500	900	300	5200	560



Boscaro srl

Via G. Cederle, 1 - 36020
Campiglia dei Berici (Vicenza) Italy

Tel +39 0444 866520
Fax +39 0444 866350
P.IVA: 00672450244